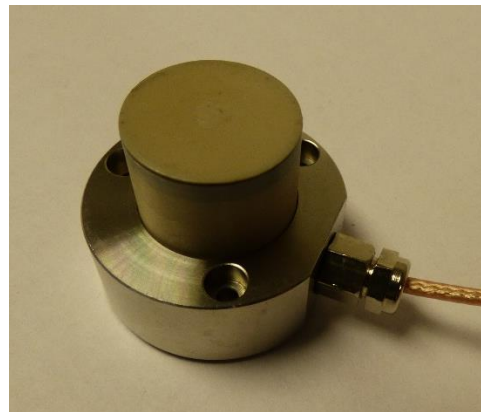


The probe consists of a thermally stable plastic enclosed in a stainless steel case, the dimensions for the standard range of probe is shown on sheet 2, the encapsulated coil assembly when connected to the driver unit produces a high frequency oscillation that induces eddy currents in the target material, and hence the oscillation amplitude which is proportional to the gap. Probe extension cables are available and must be specified at the time of order. No other cable extensions are permissible since probe calibration would be seriously affected. The max length of the probe and extension cable is 9 metres. The probe connects to the driver via miniature SMC connector of which the body is connected to the power supply /signal 0V terminal.

## MTN/EP340F



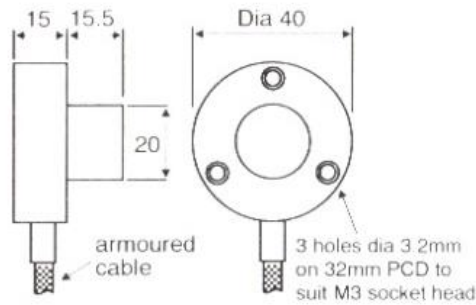
## Applications

- Pump Monitors
- Turbines
- Gauges

## Technical

Power Supply	-24VDC @ 30mA
Sensitivity	2 mV/ $\mu$ m nominal
Output Impedance	<50 Ohms
Linear Range	0 – 8.5mm
Linearity	1% nominal
Frequency Range	DC to 10 kHz
Operating Temperature	Probe: -30°C to 180°C / Driver: -20°C to 80°C
Temperature Sensitivity	Probe: Less than 5% at 150°C Driver: Less than 5% at 80°C
Tip Material	Peek
Case Material	Stainless Steel
Cable	RG179 PTFE insulated
Maximum Cable Length	9 metres
Extension Cable	MTN/EX00? (Length to be specified)
Calibration Material	Steel grade AISI 4140

## Dimensions



## Driver unit.

