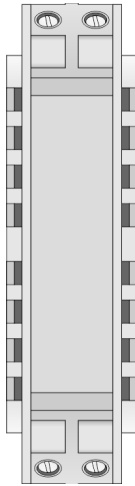


A DIN rail-mounted temperature signal conditioning unit converts voltage input to 4-20mA output.

MTN/8006TC



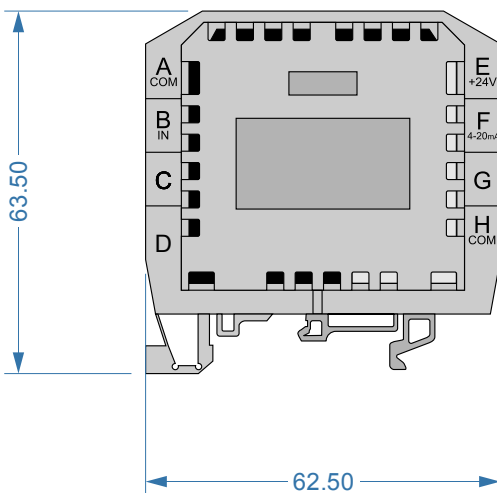
Applications

- Temperature input (10mV/°C)
- 4 – 20mA output signal proportional to temperature
- DIN rail mounting

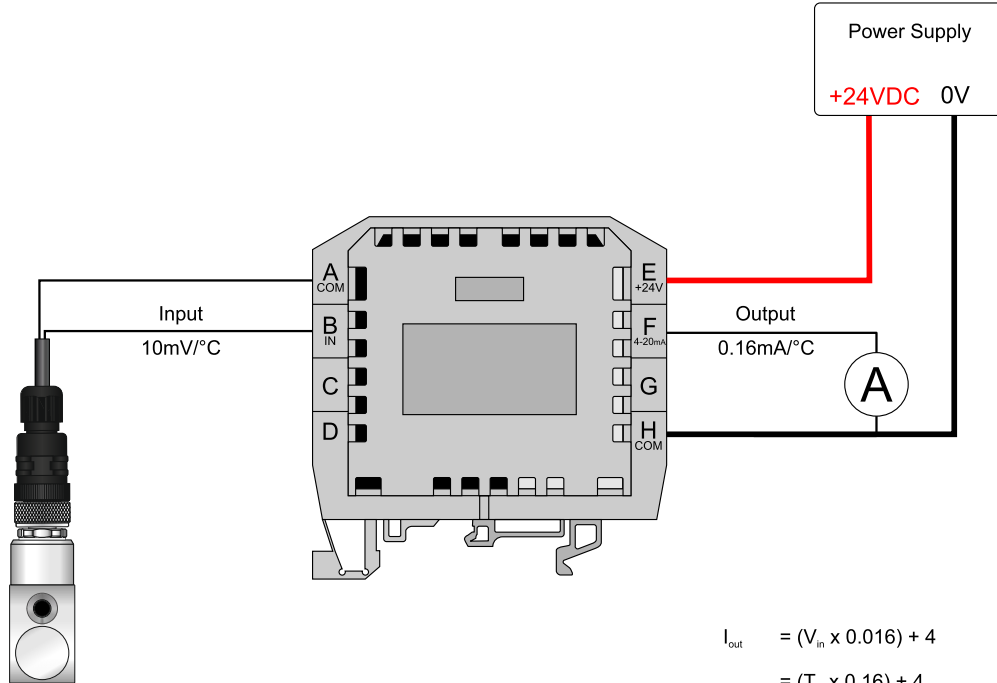
Features

- 24VDC supply
- Temperature range 0 - 100°C
- Universal DIN rail mounting construction
- Dimensions : 62.5mm x 63.5mm x 18mm
- Screw terminations
- 60g weight

Dimensions



System connection



$$I_{out} = (V_{in} \times 0.016) + 4$$

$$= (T_{in} \times 0.16) + 4$$

I_{out} current output (mA)
 V_{in} voltage input (mV)
 T_{in} temperature input (°C) @10mV/°C