

ATEX and IECEx Group II certified. General purpose side-entry constant current accelerometer with isolated AC output. Made from robust stainless steel throughout for long term vibration analysis in harsh, hazardous gas and dust environments. Internal electronics are isolated to minimise noise with increased bias voltage stability. Sealed to IP67 and includes 4-pin M12 connector and ¼"-28UNF mounting. M6 and M8 mounting bolt also available.

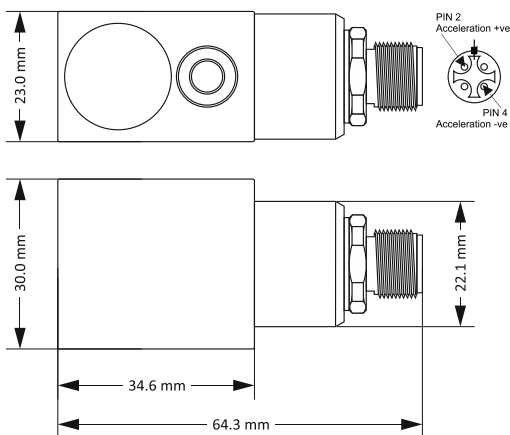
## Applications

- General industry
- Compressors, pumps etc
- Oil and petrochemical
- Mining

## MTN/2200IS-4P



## Dimensions



## Technical

Standard sensitivity	100mV/g ±10% nominal @ 80Hz
Frequency response	2Hz to 10kHz ±5% (-3dB @ 0.8Hz)
Mounted base resonance	18kHz (nominal)
Isolation	Base isolated
Transverse sensitivity	Less than 5%
Electrical noise	0.1mg max
Current range	0.5 to 8mA
Bias voltage	12V DC (nominal)
Temperature range for	T4 (-55°C ≤ Ta ≤ +115°C) T6 (-55°C ≤ Ta ≤ +65°C)

Case material: Stainless steel

Weight: 140g (nominal)

Sealing: IP67

Mounting torque: 8Nm

Maximum cable length: See system drawing ATX037

Insulation: Units will pass a 500V insulation test

## Certificate details

Group II<sup>1</sup> BAS02AEX1057X and IECEx BAS 08.0013X  
 Ex II 1GD T135°C Ex ia IIC T4 (-55°C ≤ Ta ≤ +115°C)  
 Ex II 1GD T85°C Ex ia IIC T6 (-55°C ≤ Ta ≤ +65°C)

Terminal parameters  
 Ui = 28V, Ii = 93mA, Pi = 0.65W  
 For Ci & Li see certificate

Barrier  
 1 x MTL7728+ (BAS01ATEX7217) or (P&F Z728 BAS01ATEX7005) or any other barrier that conforms to note 5 of ATX037 (Available on request)

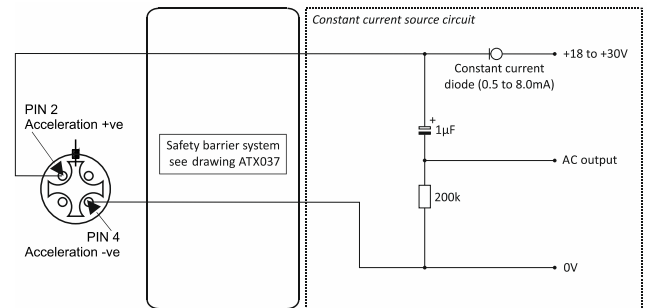


## Options

- Mating connectors
- Dust option (Group II only)
- Other sensitivities (see below)

Part #	Mounting	xx = Optional sensitivity (±10%)
MTN/2200IS-4P-xx	¼"-28 UNF x 33mm	10
MTN/2200ISM6-4P-xx	M6 x 35mm	25
		30
MTN/2200ISM8-4P-xx	M8 x 28mm	50

## System connection



**Note:** Care should be taken not to install this in a high velocity dust laden atmosphere.

<sup>1</sup> Warning ref Group II: The Ci and Li were previously lower. The installer must take account of the increase in internal capacitance and inductance present on this apparatus.