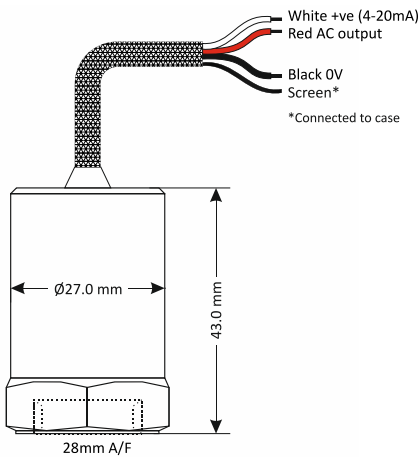


Dual purpose, top-entry accelerometer with 100mV/g AC and 4-20mA DC outputs. Made from robust stainless steel throughout for long term vibration analysis in harsh environments. Sealed to IP67 and includes integral stainless steel overbraided ETFE cable. Available with a wide range of mountings.

MTN/1186C



Dimensions



Applications

- Air Handling Units
- Building Services
- Fans

Technical

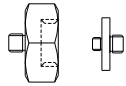
Output current	4-20mA DC proportional to rms velocity (mm/s)
AC output	Voltage proportional to acceleration (g)
Supply voltage range	12-32V DC (4-20mA)
Frequency response (mm/s)	2Hz to 1kHz $\pm 10\%$
Frequency response (g)	-3dB @ 0.8Hz
Mounted base resonance	5kHz (nominal)
Isolation	Base isolated
Dynamic range	30g peak for 100mV/g 60g peak for 50mV/g
Transverse sensitivity	Less than 5%
Operating temperature	-25 to 90°C
Temperature sensitivity	0.08%/°C
Bias voltage (AC output)	3V DC (nominal)
Case material	Stainless steel
Cable	Integral stainless steel overbraided ETFE
Standard cable length	5m
Maximum cable length	100m
Mounting torque	8Nm
Weight	150g (nominal)
Sealing	IP67

Studs and grub screws



Part #	From	To
MS036	¼"-28 UNF Male	M6 Male
MS039	¼"-28 UNF Male	10-32 UNF Male
MS067	¼"-28 UNF Male	M8 Male
MS068	¼"-28 UNF Male	¼"-28 UNF Male
MS124	¼"-28 UNF Male	M10 Male
MS132	¼"-28 UNF Male	M12 Male

Quick fit adapters



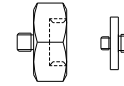
Part #	From	To
MS001	Q/F Male	Glue base
MS002	Q/F Male	M8 Male
MS003	Q/F Male	M10 Male
MS004	Q/F Male	¼"-28 UNF Male
MS006	Q/F Male	M6 Male

Options

- Connector
- Filters
- Mounting threads
- Other velocities (see below)

Part #	Mounting	xx = Optional velocity (mm/s rms)	xx = Optional sensitivity (mV/g)
MTN/1186C-xx	¼" UNF Female	0-10	100mV/g
		0-20	100mV/g
		0-25	100mV/g
MTN/1186CQ-xx	Q/F Female	0-50	50mV/g
		0-100	50mV/g

Mounting adapters

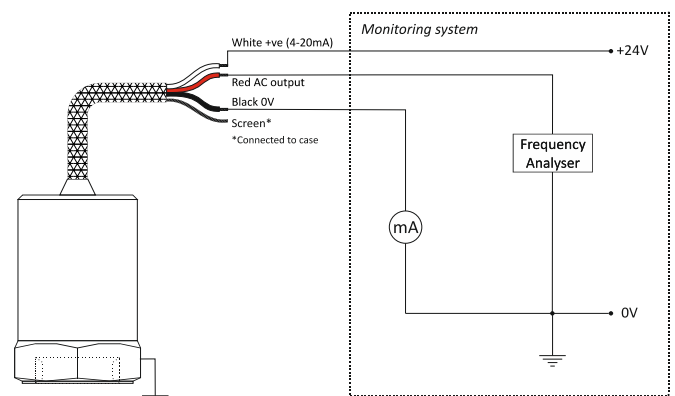


Part #	From	To
MS005	Q/F Male	¼"-28 UNF Female
MS007	Q/F Male	10-32 UNF Female
MS008	Q/F Male	M8 Female
MS011	¼"-28 UNF Male	Q/F Female
MS013	¼"-28 UNF Male	Glue base
MS033	¼"-28 UNF Male	Q/F Female
MS038	Q/F Male	M8 Conical Male
MS061	¼"-28 UNF Male	10-32 UNF Male
MS079	¼"-28 UNF Male	Q/F Female
MS106	Q/F Male	M10 Female

Isolation

Part #	From	To
MS034	¼"-28 UNF Male	¼"-28 UNF Female
MS093	Q/F Male	M8 Male

System connection



To avoid spurious signals, the body of the sensor must be grounded by the machine or by a grounded connector shell. The monitoring system 0V should also be grounded.