

ATEX and IECEx Group I certified. General purpose side-entry constant current accelerometer with isolated AC output. Made from robust stainless steel throughout for long term vibration analysis in harsh, hazardous gas and dust environments. Sealed to IP67 and includes 2-pin C5015 military style connector and ¼"-28UNF mounting. M6 and M8 mounting bolt also available.

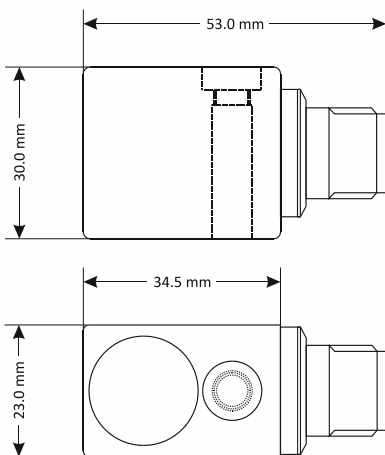
Applications

- General industry
- Compressors, pumps etc
- Oil and petrochemical
- Mining

MTN/M1100IS



Dimensions



Technical

Standard sensitivity	100mV/g ±10% nominal @ 80Hz
Frequency response	2Hz to 10kHz ±5% (-3dB @ 0.8Hz)
Mounted base resonance	18kHz (nominal)
Isolation	Base isolated
Transverse sensitivity	Less than 5%
Electrical noise	0.1mg max
Current range	0.5 to 8mA
Bias voltage	12V DC (nominal)
Temperature range for	T4 (-55°C ≤ Ta ≤ +115°C) T6 (-55°C ≤ Ta ≤ +65°C)
Case material	Stainless steel
Weight	140g (nominal)
Sealing	IP67
Mounting torque	8Nm
Maximum cable length	See system drawing ATX027
Insulation	Units will pass a 500V insulation test

Certificate details

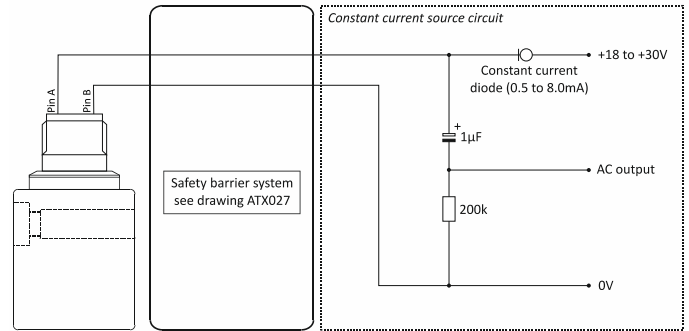
Group I	BAS02ATEX0245X and IECEx BAS 08.0013X Ex I M1 Ex ia I (-55°C ≤ Ta ≤ +115°C)
Terminal parameters	Ui = 28V, Ii = 93mA, Pi = 0.65W For Ci & Li see certificate
Barrier	1 x MTL7728+ (BAS01ATEX7217) or (P&F Z728 BAS01ATEX7005) or any other barrier that conforms to note 5 of ATX027

Options

- Mating connectors
- MH002 (standard)
- MH088 (stainless steel)
- Dust option (Group II only)
- Other sensitivities (see below)

Part #	Mounting	xx = Optional sensitivity ($\pm 10\%$)
MTN/1100IS-xx	1/4"-28 UNF x 33mm	10
MTN/1100ISM6-xx	M6 x 35mm	25
MTN/1100ISM8-xx	M8 x 28mm	30
		50

System connection



Note: Care should be taken not to install this in a high velocity dust laden atmosphere.