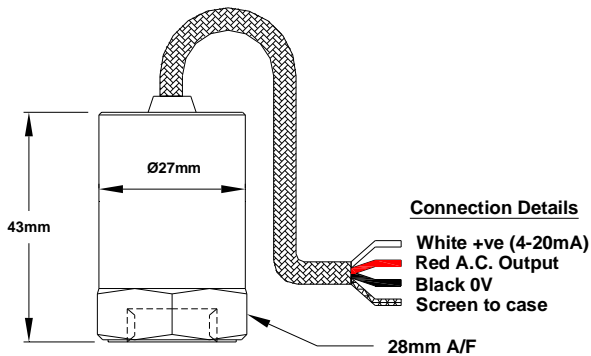


Dual purpose, top-entry, accelerometer with 100mV/g AC and 4-20mA DC outputs. Made from robust stainless steel throughout for long term vibration analysis in harsh environments. Sealed to IP67 and includes stainless overbraided ETFE cable. Available with a wide range of mountings.

MTN/1188C



Dimensions



Applications

- Centrifuges
- Building Services
- Fans, Pumps

Technical

Current Output	4-20mA DC proportional to RMS acceleration (g rms)
AC Output	AC voltage proportional to acceleration (g)
Measurement Range	See table below
Frequency Response	2 Hz to 1 kHz +/-10%, -3 dB at 0.8 Hz for AC output
Dynamic Range	30g peak for 100mV/g; 60g peak for 50mV/g
Mounted Resonance	5 kHz min
Bias Voltage (AC output)	3 Volts
Isolation	Base Isolated
Operating Temp range	-25 to 90°C
Temperature Sensitivity	0.08 %/°C
Transverse Sensitivity	Less than 5%
Supply Voltage	12-32 Volts DC (4-20mA)
Standard cable 5 metres	5 metres armoured ETFE
Case Material	Stainless Steel
Weight	150 gms (nominal)
Sealing	IP67
Mounting Torque	8 Nm

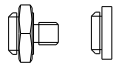
Mounting Adaptors and Studs

Studs and Grub Screws



Part #	From	To
MS036	¼"-28 UNF Male	M6 Male
MS039	¼"-28 UNF Male	10-32 UNF Male
MS067	¼"-28 UNF Male	M8 Male
MS068	¼"-28 UNF Male	¼"-28 UNF Male
MS124	¼"-28 UNF Male	M10 Male
MS132	¼"-28 UNF Male	M12 Male

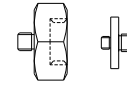
Quick Fit Adaptors



Part #	From	To
MS001	Q/F Male	Glue base
MS002	Q/F Male	M8 Male
MS003	Q/F Male	M10 Male
MS004	Q/F Male	¼"-28 UNF Male
MS006	Q/F Male	M6 Male

ORDER CODE PART No	MOUNTING	xx =ACCELERATION RANGE AVAILABLE (+/- 10%)	SENSITIVITY (AC) (+/- 10%)
MTN/1188C-xx	¼" UNF Female	0-1g RMS	100 mV/g
		0-2g RMS	100 mV/g
MTN/1188CQ-xx	Quick Fit Female	0-5g RMS	100 mV/g
		0-10g RMS	100 mV/g
		0-20g RMS	50 mV/g

Other Adaptors

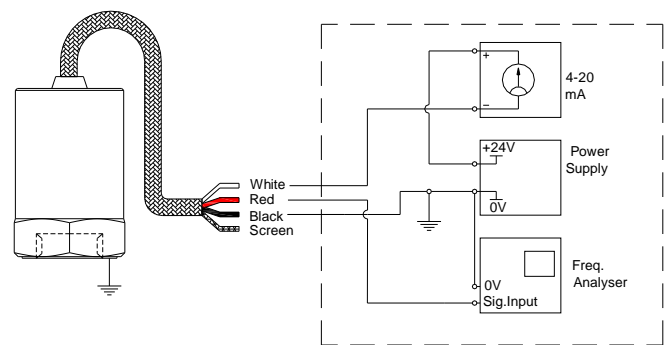


Part #	From	To
MS005	Q/F Male	¼"-28 UNF Female
MS007	Q/F Male	10-32 UNF Female
MS008	Q/F Male	M8 Female
MS011	¼"-28 UNF Male	Q/F Female
MS013	¼"-28 UNF Male	Glue base
MS033	¼"-28 UNF Male	Q/F Female
MS038	Q/F Male	M8 Conical Male
MS061	¼"-28 UNF Male	10-32 UNF Male
MS079	¼"-28 UNF Male	Q/F Female
MS106	Q/F Male	M10 Female

Isolation Adaptors

Part #	From	To
MS034	¼"-28 UNF Male	¼"-28 UNF Female
MS093	Q/F Male	M8 Male

System Connection Details



Monitoring System