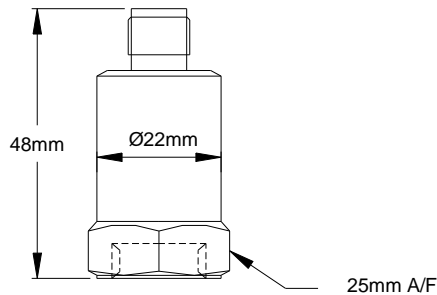


General purpose, top-entry, constant current accelerometer with isolated AC output. Made from robust stainless steel throughout for long term vibration analysis in harsh environments. Includes 25mm base, integral TNC connector and available with a wide range of mountings. Uses coaxial cable (not twin core shielded like the 1100 which also has internal shielding and isolated electronics) and thus shows lower immunity to electrical interference.

MTN/1010



Dimensions



Applications

- Data Collector
- Heavy Industry
- Paper machinery

Technical

Standard Sensitivity	100 mV/g +/-10% Nominal at 80 Hz
Frequency Response	2 Hz to 10 KHz +/-5% (-3dB at 0.8 Hz)
Mounted Base Resonance	16 KHz (nominal)
Isolation	Base Non-Isolated
Transverse Sensitivity	Less than 5%
Dynamic Range	+/-80g
Electrical Noise	0.1 mg max
Current Range	0.5 mA to 8 mA
Temperature Range	-25 to 120 °C
Bias Voltage	12 Volts DC (nominal)
Case Material	Stainless steel
Mounting Torque	8 Nm
Weight	110 gms (nominal)
Sealing	IP65
Connector	TNC

Order Code Part No	Mounting	xx = Optional sensitivity range Available (+/- 10%)
MTN/1010-xx	¼"-28 UNF Female	10 mV/g
MTN/1010Q-xx	Quick Fit Female	30 mV/g
		50 mV/g

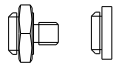
Mounting Adaptors and Studs

Studs and Grub Screws



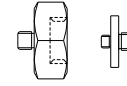
Part #	From	To
MS036	¼"-28 UNF Male	M6 Male
MS039	¼"-28 UNF Male	10-32 UNF Male
MS067	¼"-28 UNF Male	M8 Male
MS068	¼"-28 UNF Male	¼"-28 UNF Male
MS124	¼"-28 UNF Male	M10 Male
MS132	¼"-28 UNF Male	M12 Male

Quick Fit Adaptors



Part #	From	To
MS001	Q/F Male	Glue base
MS002	Q/F Male	M8 Male
MS003	Q/F Male	M10 Male
MS004	Q/F Male	¼"-28 UNF Male
MS006	Q/F Male	M6 Male

Other Adaptors

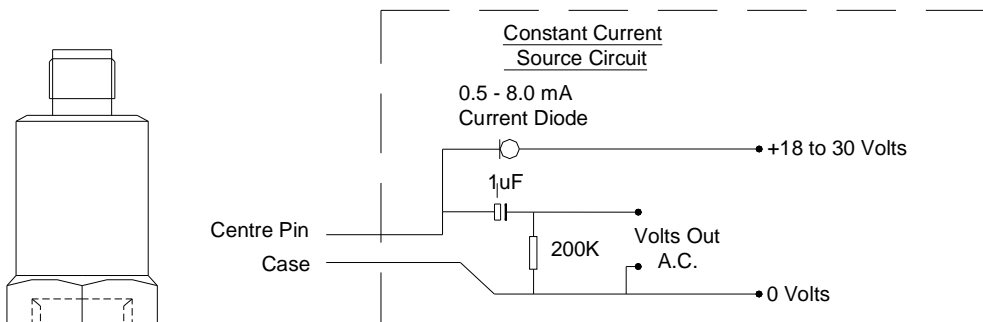


Part #	From	To
MS005	Q/F Male	¼"-28 UNF Female
MS007	Q/F Male	10-32 UNF Female
MS008	Q/F Male	M8 Female
MS011	¼"-28 UNF Male	Q/F Female
MS013	¼"-28 UNF Male	Glue base
MS033	¼"-28 UNF Male	Q/F Female
MS038	Q/F Male	M8 Conical Male
MS061	¼"-28 UNF Male	10-32 UNF Male
MS079	¼"-28 UNF Male	Q/F Female
MS106	Q/F Male	M10 Female

Isolation Adaptors

Part #	From	To
MS034	¼"-28 UNF Male	¼"-28 UNF Female
MS093	Q/F Male	M8 Male

System Connection



Monitoring Circuit